

MODEL: ComColor 90xx, 70xx & 30XX

DATE 28 May., 2009

Data Category Field Modification Trouble Shooting General Information Safety Advice

Proceeding Grade

- Action ASAP
- Action as given
- Action if required
- Refer in need

Parts Compatibility

- Compatible
- Conditionally Compatible
- Not Compatible
- Old Obsolete

Handling of Modified Parts

- Free of Charge
- Conditionally Chargeable
- Chargeable

Our Ref.

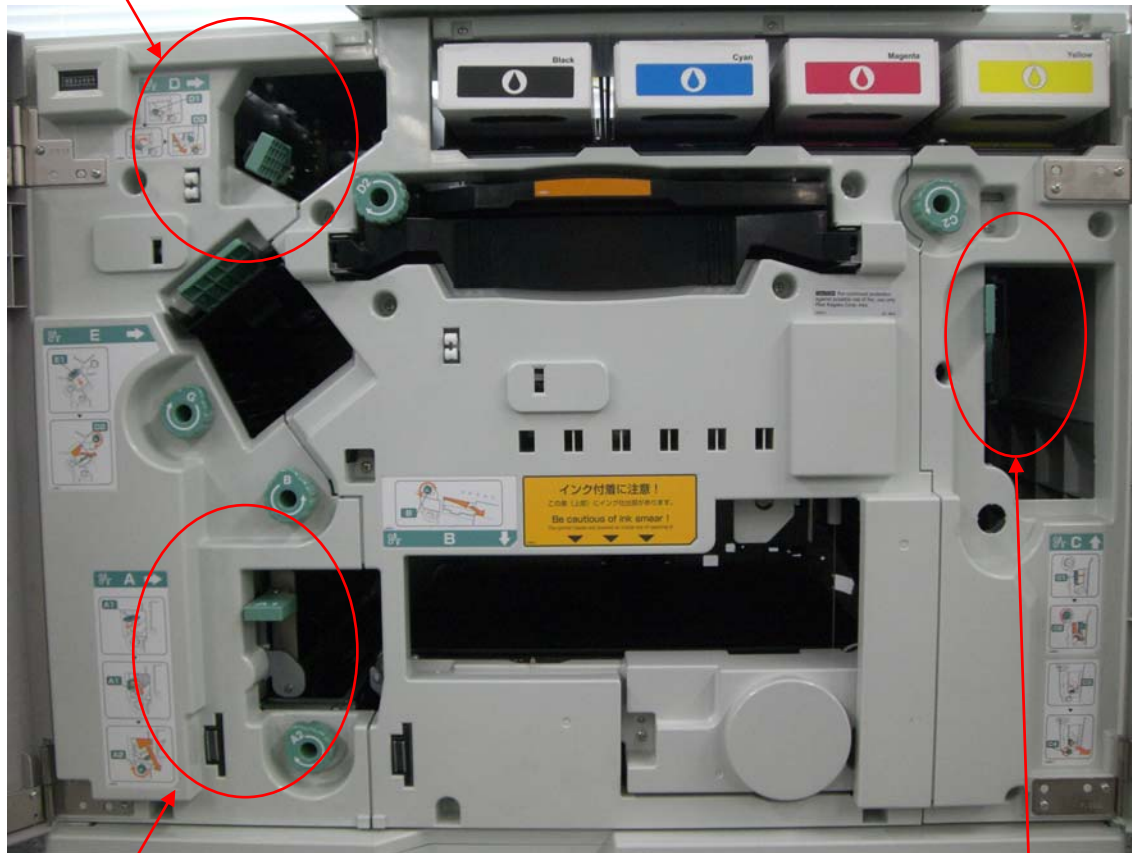
SUBJECT: Malfunction to close the Front Cover

[Brief]

It was found that the front cover might be closed even if the jam release lever is not at closed position.

Some counter measure parts are registered as a temporary measure.

1. D1 area



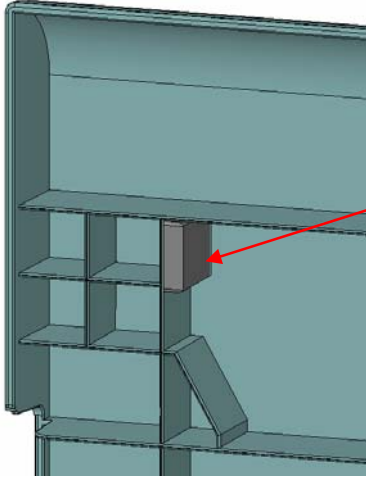
2. A1 area

3. C1 area

Attached:

1. D1 Area:

Stick the Block D1 on the Front Left Cover as below.



050-34117 Block D1

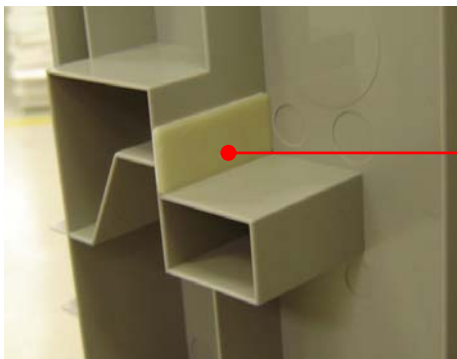
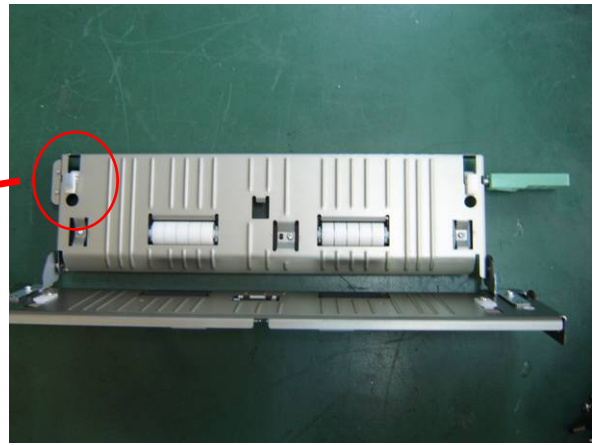
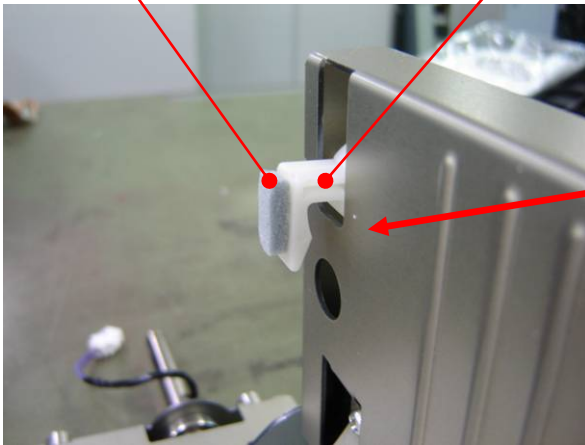
2. A1 Area

The worst case, BP will stack if the jam release lever A1 is wrong position and contact to BP unit.

Stick the Block A1 on the Jam release hook as below

050-34118 Block A1

Jam release hook



Stick the Rib A1 on the Front Left Cover.

050-34113 Rib A1

Attached:

3. C1 Area

Stick the Plate U; C1 & Plate L;C1 on the Front Right Cover.



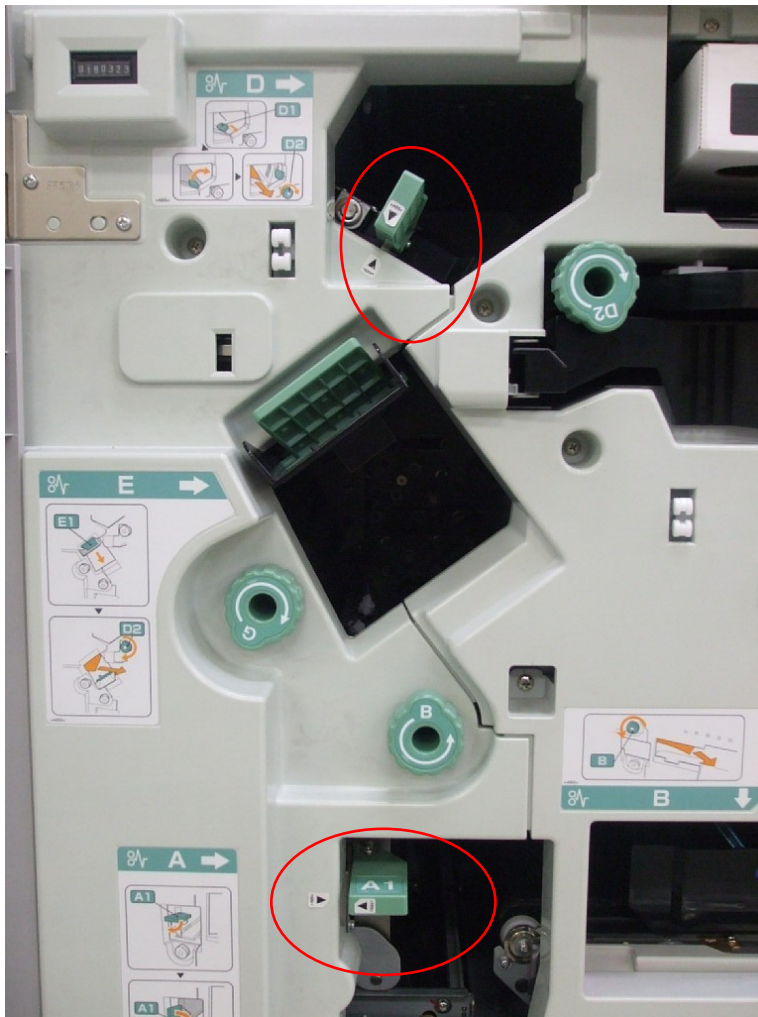
050-34119 Plate U; C1

050-34115 Plate L; C1

Notch

4. D1 & A1 Area

Stick the Lever Set Seal on Inner Cover and Jam lease lever.



050-34122 Lever Set Seal

Attached:

[Note]

Clean the sticking surface on the part with alcohol beforehand.

[Newly registered Part]

050-34113-000 Rib A1
050-34115-003 Plate L; C1
050-34117-006 Block D1
050-34118-002 Block A1
050-34119-009 Plate U; C1
050-34122-000 Lever Set Seal

[Application serial Number]

Will be informed later

CC9050	3335xxxx
CC7050	3336xxxx
CC3050	3337xxxx
CC7010	3346xxxx
CC3010	3347xxxx

Attached: